

EI-300

Balancing Machine

Datasheet



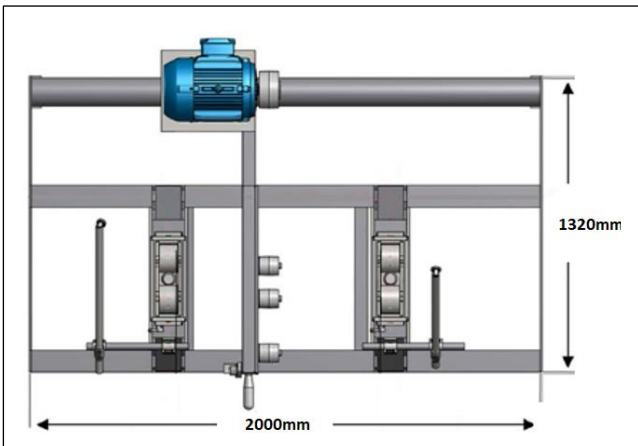
The **EI-300 Balancing Machine** is ideal for all types of rotating parts up to **300 kg**, such as rollers, motor rotors, crankshafts, fans, mills, among others. The floating supports of the **EI-300** are built strong and lightweight to reduce mechanical inertia.

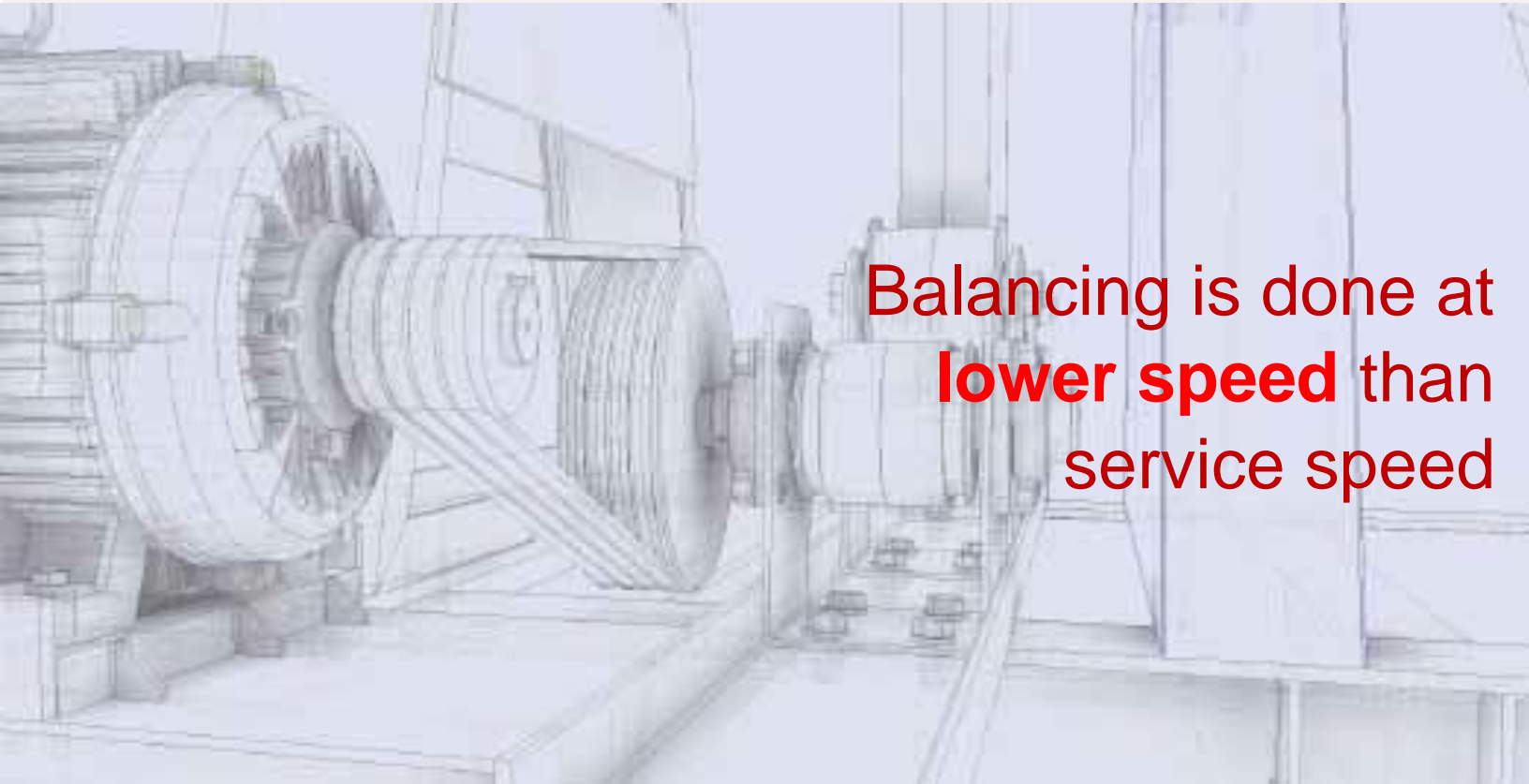
Characteristics

- 2-Plane balancing without trial weights (SBS).
- Variable speed (speed driver included).
- Easy Adjustable pulleys (manually).
- 3 liberty axes on each pedestal.
- Simple settings for transmission set & pedestals.
- 2 Separable bench-frames with levelers.
- Soft bearing suspensions to minimize mechanical losses.
- Axial supports included.
- Auto-aligned rollers.
- Sealed accelerometers to avoid corrosion.
- Autocalibration for interface and sensors.
- Very Low balancing speed.
- SBS prepared to use Negative Load Supports (optional).
- Control module & balancing kits (optionals).

Technical Specs

| | |
|---|---|
| Min-Max Load to Balance using SBS method | 1 - 300 kg / 2.2 - 661 lb |
| Maximum Load per Pedestal | 150 kg / 330 lb |
| Maximum Rotor Diameter with Transmission in – out of pedestals | 1066 – 1600 mm / 42 – 63 in |
| Dimensions Long X Width X Height (2 separable bench frames for long rotors) | (2x)1000 x 1320 x 1006 mm / 79 x 52 x 40 in |
| Weight of machine (standard package) | 302 kg / 665 lb |
| Max. SBS oscillation displ. (Pk-Pk) | 35 mm / 1.4 in |
| Min-Max shaft diameter (Recommended) | 12 - 130 mm / 0.5 - 5.1 in |
| Max. elevation height for SBS leveler | 15 mm / 0.6 in |
| Min-Max dist. between pedestals with the 2 benches together | 114-1700 mm / 4.5-70 in |
| Transmission type & belt width | Flat belt – 30 mm / 1.2 in |
| Lubrication | Type-I (manual) |
| Precision | +/- 0.01 mm/s – G0.4 |
| Accelerometer Sensitivity | 100mV/G (opt. 500mV/G) |
| ISO 2953 Seq. Unbal. Reduction | 95% |
| Residual Imbalance (mechanics ++) | 0.2 g.mm/kg |
| Motor features | 2.3 kW - 3hp, 220-440V, 3ph, 4p |
| VFD / Speed Inverter (select voltage 220V or 440V with PO) | Included 2.3 kW / 3 hp |
| Min. Balancing Speed RPM using SBS | 450 RPM |
| SBS Calibration Coeff. (with NLS) | 6.76 (+4.1) |

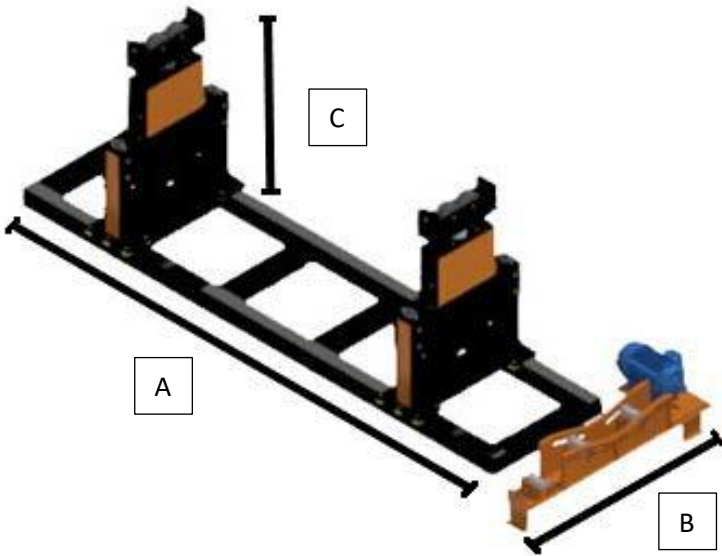




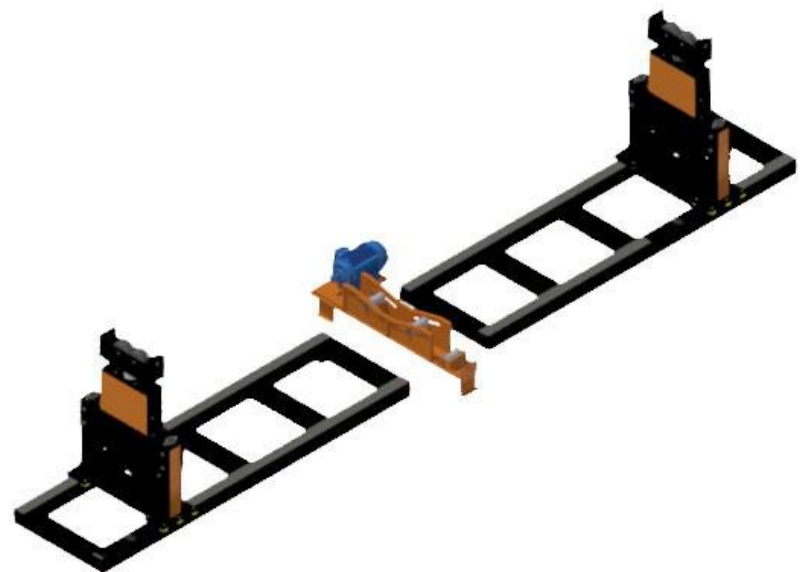
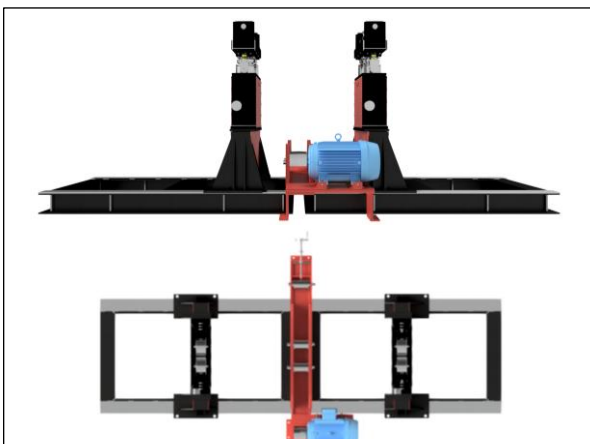
Balancing is done at **lower speed** than service speed

Mounting Configurations

Dimensions



| | |
|---|-------------------|
| A | 2000 mm / 78.7 in |
| B | 1320 mm / 52 in |
| C | 1006 mm / 40 in |



Configuration for long rotors when bench frames are separated.

DigivibeMX M10

An easy-to-use system designed specifically for all our **Balancing Machines**.

The software includes 2 balancing modes:

- No-trial weights (SBS)
- Influence Coefficients (with trial weights, in-situ balancing).



Software Features

- Balancing without Trial Weights (SBS).
 - Balancing Calculator ultra-easy-to-use.
 - Plug&Play DAQ interface.
 - Balance speeds from 120 to 150'000 RPM.
 - Manual and Guides in English.
 - 2 Polar charts.
 - Balancing Reports with tendency graphs.
 - Compatible with other formats (ANL, ASCII, WAV).
 - 2 Accelerometers + 1 tachometer included.
 - 3 Activation license, NO annual fee.
- * tablet not included in the standard kit.

Includes:

1x 4-Channel Interface
INT4-GX400



2x Accelerometers
AC500-2P



1x Laser Tachometer
OP20-5P



| |
|-----------------------------------|
| 3 LEMO 5-pin Connectors |
| 2-plane simultaneous readings |
| Up to 4 mono-axial accelerometers |
| Sample Rate: 48kHz |
| Protection grade: IP67 |
| Power supply: 5V |
| Dimensions: 67x74x22mm |
| Weight: 100g |

| |
|-------------------------------------|
| Dyn. Impact: 80G (max 5000G) |
| Freq. Resp: (+/- 3dB): 0.32Hz-13kHz |
| Sensitivity: 100mV/G +/- 10% |
| Power supply: 18-30V 5mAcc |
| Oper. Temp: -50°C a 121°C |
| Protection grade: IP68 |
| Connector: 2-pin MIL |
| Weight: 50g Stainless (w/o mgnt) |

| |
|---------------------------|
| Freq. Resp: 1 – 5000Hz |
| Power supply: 5V – 10mA |
| Oper. Distance: 20cm – 5m |
| Oper. Temp: -10 to 50°C |
| Protection: IP60 III |
| Analogic output |
| Weight: 60g |
| Material: Nylon |

ERBESSD INSTRUMENTS®

WORLDWIDE toll-free (English)
+1-877-223-4606

ENGLISH (USA)
Sales, Service & Support Engineer
+1-518-874-2700
info@erbessdreliability.com

SPANISH & FRENCH
Ventas, Servicio & Soporte Técnico
+52 55-6280-7654 / +52 999-469-1603
info@erbessd-instruments.com

BUY ONLINE:
www.erbessd-instruments.com

ALL IMAGES ARE FOR ILLUSTRATIVE PURPOSES ONLY. THE FINAL PRODUCT MAY VARY DEPENDING ON THE VERSION AND/OR THE IMPROVEMENTS MADE TO THE DEVICES OR COMPONENTS.