

EI-15T

Balancing Machine

Datasheet



EI-15T Balancing Machine can balance all kinds of rotors up to 15 tons.

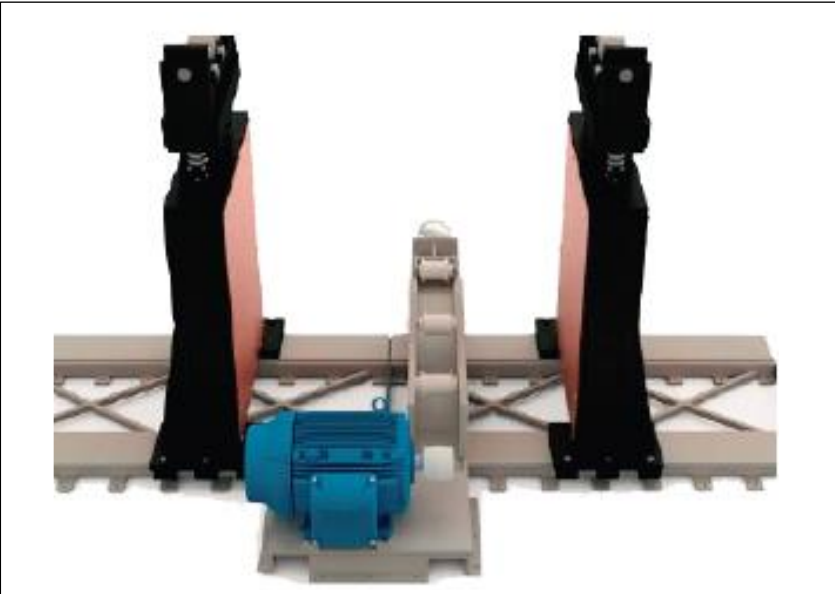
Whether they are rollers, electric rotors, crankshafts, fans and more, its **Soft Bearing Suspensions** are strong & light to allow high sensitivity on vibration measurements.

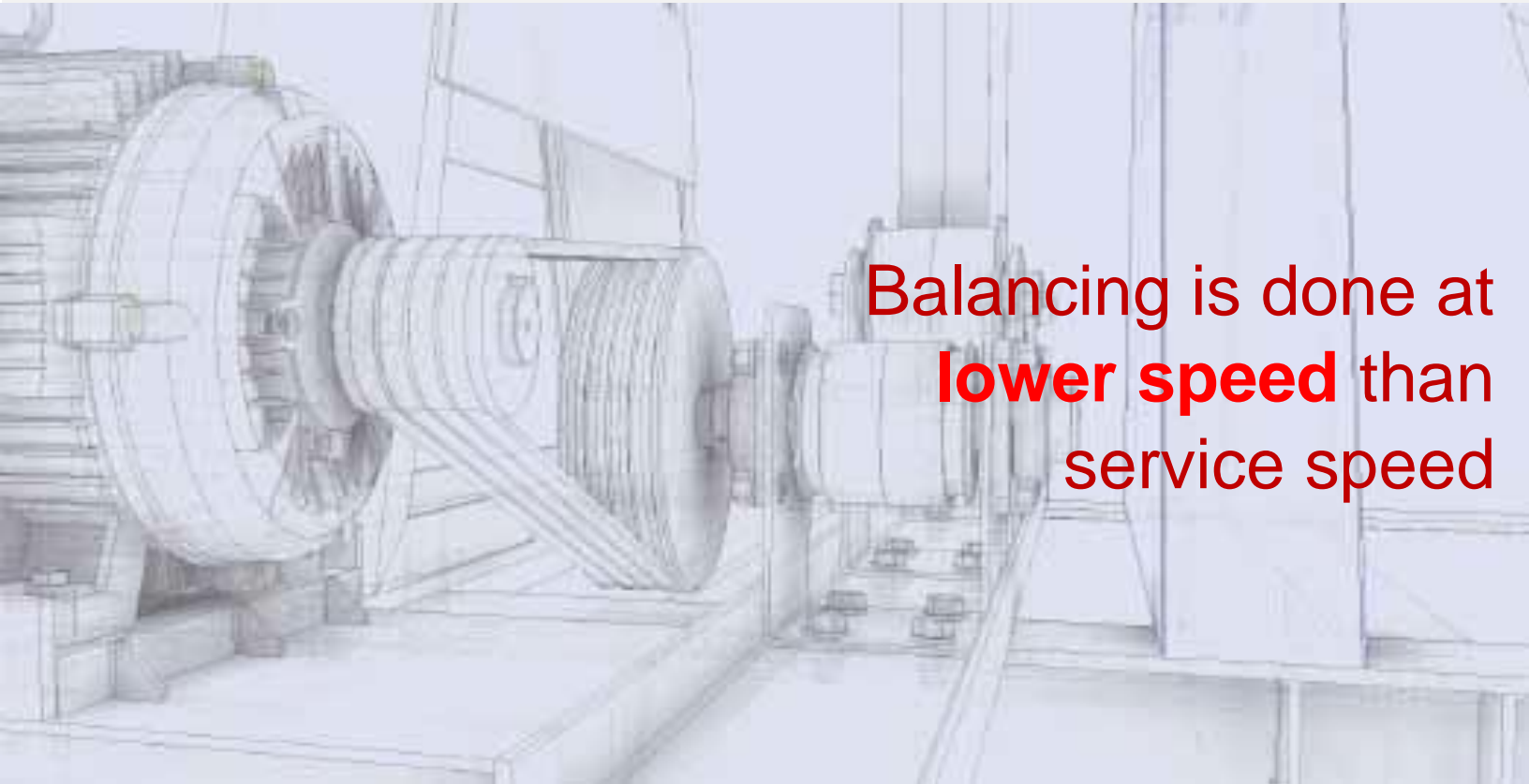
Characteristics

- 2-Plane balancing without trial weights (SBS).
- Variable speed (speed driver included).
- Easy Adjustable pulleys (manually).
- 3 liberty axes on each pedestal.
- Simple settings for transmission set & pedestals.
- 2 Separable bench-frames with levelers.
- Soft bearing suspensions to minimize mechanical losses.
- Axial supports included.
- Auto-aligned rollers.
- Sealed accelerometers to avoid corrosion.
- Autocalibration for interface and sensors.
- Very Low balancing speed.
- SBS prepared to use Negative Load Supports (optional).
- Control module & balancing kits (optionals).

Technical Specs

Min-Max Load to Balance using SBS method	750 – 15,000 kg / 1.65 - 33 klb
Maximum Load per Pedestal	7500 kg / 16.5 klb
Maximum Rotor Diameter with Transmission in – out of pedestals	2500 – 2900 mm / 98 – 114 in
Dimensions Long X Width X Height (2 separable bench frames for long rotors)	(2x)2000 x 2241 x 1810 mm / (2x)78.7 x 88 x 71 in
Weight of machine (standard package)	1900 kg / 4.19 klb
Max. SBS oscillation displ. (Pk-Pk)	90 mm / 3.5 in
Min-Max shaft diameter (Recommended)	38 - 490 mm / 1.5 – 19.3 in
Max. elevation height for SBS leveler	50 mm / 2 in
Min-Max dist. between pedestals with the 2 benches together	700 - 3000 mm / 28 - 118 in
Transmission type & belt width	Flat belt – 102 mm / 4 in
Lubrication	Type-I (manual)
Precision	+/- 0.01 mm/s – G0.4
Accelerometer Sensitivity	100mV/G (opt. 500mV/G)
ISO 2953 Seq. Unbal. Reduction	95%
Residual Imbalance (mechanics ++)	1 g.mm/kg
Motor features	15 kW – 20 hp, 220-440V, 3ph, 6p
VFD / Speed Inverter (select voltage 220V or 440V with PO)	Included 15 kW / 20 hp
Min. Balancing Speed RPM using SBS	350 RPM
SBS Calibration Coeff. (with NLS)	100 (+35)

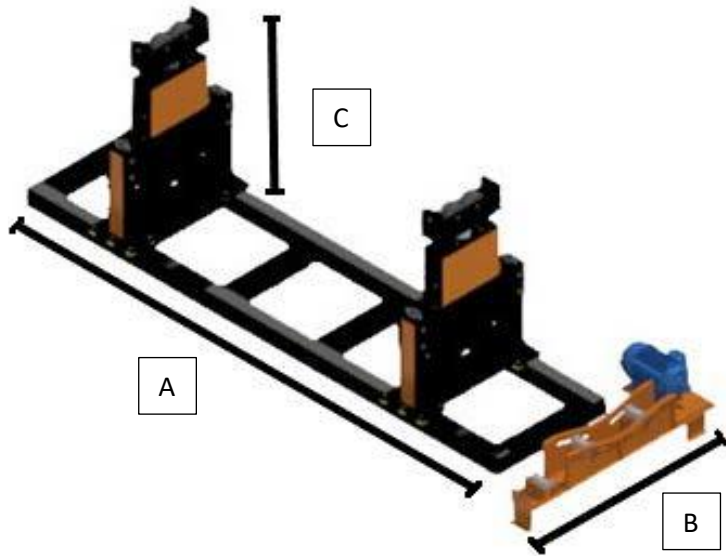




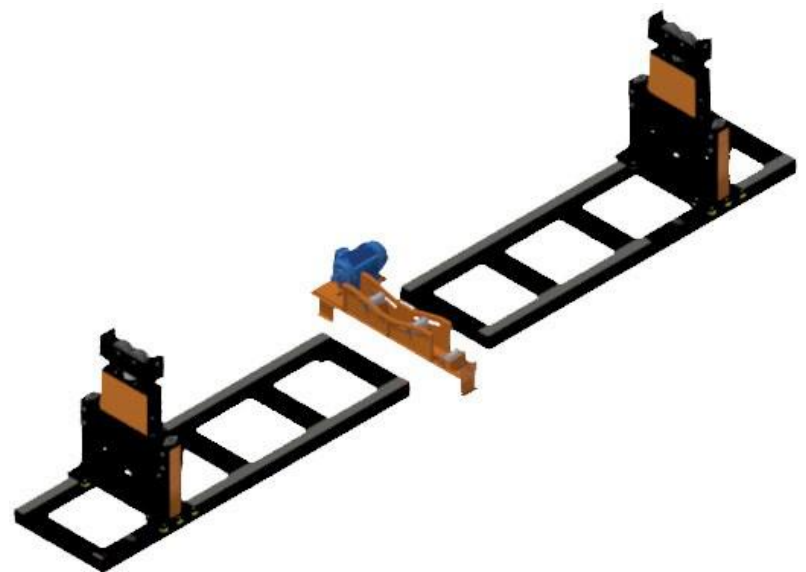
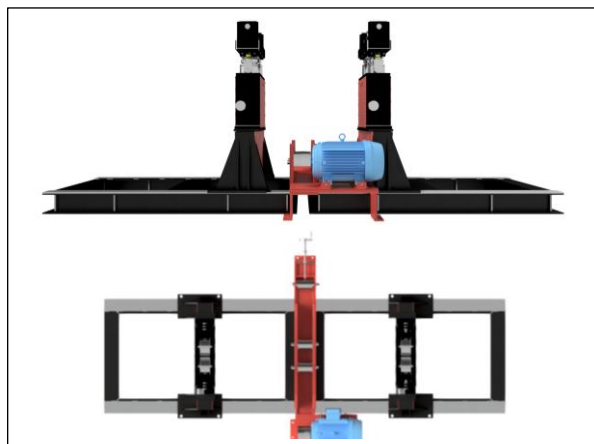
Balancing is done at **lower speed** than service speed

Mounting Configurations

Dimensions



A	4000 mm / 157 in
B	2241 mm / 88.2 in
C	1810 mm / 71.3 in



Configuration for long rotors when bench frames are separated.

DigivibeMX M10

An easy-to-use system designed specifically for all our Balancing Machines.

The software includes 2 balancing modes:

- No-trial weights (SBS)
- Influence Coefficients (with trial weights, in-situ balancing).



Software Features

- Balancing without Trial Weights (SBS).
 - Balancing Calculator ultra-easy-to-use.
 - Plug&Play DAQ interface.
 - Balance speeds from 120 to 150'000 RPM.
 - Manual and Guides in English.
 - 2 Polar charts.
 - Balancing Reports with tendency graphs.
 - Compatible with other formats (ANL, ASCII, WAV).
 - 2 Accelerometers + 1 tachometer included.
 - 3 Activation license, NO annual fee.
- * tablet not included in the standard kit.

Includes:

1x 4-Channel Interface
INT4-GX400



2x Accelerometers
AC500-2P



1x Laser Tachometer
OP20-5P



3 LEMO 5-pin Connectors
2-plane simultaneous readings
Up to 4 mono-axial accelerometers
Sample Rate: 48kHz
Protection grade: IP67
Power supply: 5V
Dimensions: 67x74x22mm
Weight: 100g

Dyn. Impact: 80G (max 5000G)
Freq. Resp: (+/- 3dB): 0.32Hz-13kHz
Sensitivity: 100mV/G +/- 10%
Power supply: 18-30V 5mA
Oper. Temp: -50°C a 121°C
Protection grade: IP68
Connector: 2-pin MIL
Weight: 50g Stainless (w/o mgnt)

Freq. Resp: 1 – 5000Hz
Power supply: 5V – 10mA
Oper. Distance: 20cm – 5m
Oper. Temp: -10 to 50°C
Protection: IP60 III
Analogic output
Weight: 60g
Material: Nylon

ERBESSD INSTRUMENTS®

WORLDWIDE toll-free (English)

+1-877-223-4606

ENGLISH (USA)

Sales, Service & Support Engineer

+1-518-874-2700

info@erbessdreliability.com

SPANISH & FRENCH

Ventas, Servicio & Soporte Técnico

+52 55-6280-7654 / +52 999-469-1603

info@erbessd-instruments.com

BUY ONLINE:

www.erbessd-instruments.com

ALL IMAGES ARE FOR ILLUSTRATIVE PURPOSES ONLY. THE FINAL PRODUCT MAY VARY DEPENDING ON THE VERSION AND/OR THE IMPROVEMENTS MADE TO THE DEVICES OR COMPONENTS.

© 2021 ERBESSD INSTRUMENTS

A-2023.0824