

ERBESSD INSTRUMENTS®

PHANTOM

Current Sensor

PHANTOM, the best wireless continuous monitoring system worldwide.



With the current sensor you can measure up to 4 different phases between 50A and 500A.

The signal from the Phantom sensors is encrypted which ensures the reliability of the information and the security of your data.



TECHNICAL SPECIFICATIONS

MEASUREMENT

Part Number:
EPH-C30

Frequency Range
50-60Hz

Accuracy:
±5%

Measurement:
Minimum / Maximum /
Average / Amp Hour

Sensor:
Split core current transformer
sensor

Input:
4 Clamps for 4 phases
measurement

**Internal Temperature
Accuracy:**
±5°C

Clamps:
50 / 100 / 250 / 500 Amp

**Data Receiving
Interval:**
30min / Configurable

POWER SUPPLY

Battery Lifetime:
2-3 years*
Standby Mode if Gateway not detected

Main Power Supply:
2 AAA 1.5V Batteries (Replaceable)

CONNECTIVITY AND SOFTWARE

Wireless Protocol:
Bluetooth BLE 5.0 / Modbus via Gateway

Software Compatibility:
DigivibeMX version
Phantom / WiSER Vibe
Firmware Updates via Phantom
Manager (iOS & Android)

**Signal Strength
Range:**
-90dBm to -30dBm

Wireless Range:
100m line sight

Power Output Range:
-4dBm to +8dBm
(Configurable)

Operating Frequency:
2.4GHz

DIMENSIONS

Dimensions:
100mm x 77mm x 26mm

Weight:
138 gr

**Base Temperature
Range:**

Material:
Nylamid / Aluminum

Protection Rating:
Water and dust resistant (IP67)

-40 to +80 °C
(-40 to +176 °F)

*Depending on user's configuration

ACCESSORIES

Each sensor has the ability to connect **4 clamps*** to measure 4 simultaneous phases. You can use clamps of 50A, 100A, 250A and 500A. Our clamps are lightweight and easy to transport.

Specifications

Weight:

55 gr (50A)
68 gr (100A)
186 gr (250A)
280 gr (500A)

Input:

AC

Core Material:

Ferrite

Output Voltage:

5V

Frequency:

50Hz - 60Hz

Operating Temperature:

25°C to 60°C
77°F to 140°F

Dimensions:

26mm x 50mm x 34mm

Accuracy:

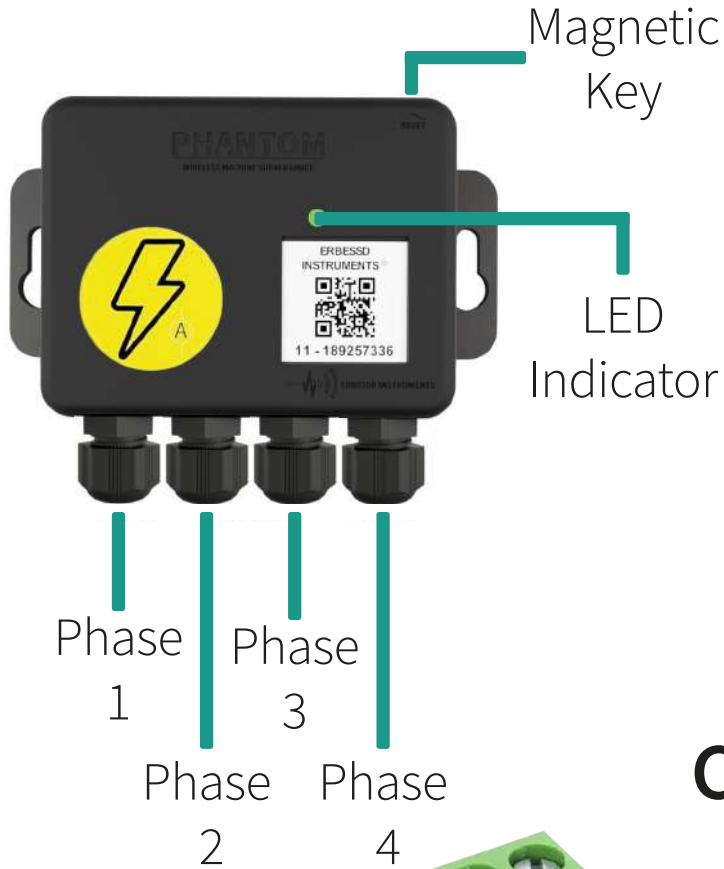
±2%



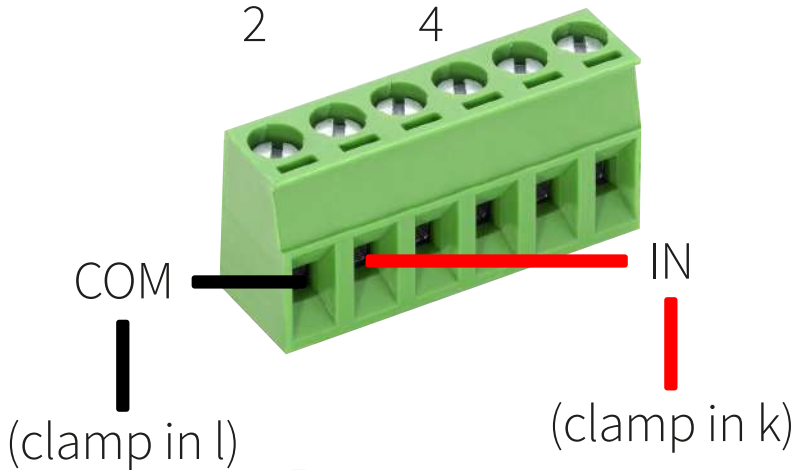
Place your sensor's cables easily with the help of a screwdriver

*Sold separately

QUICK GUIDE



CONNECTION DIAGRAM



CH1

COM	IN
Black cable	Red cable

CH2

COM	IN
Black cable	Red cable

CH3

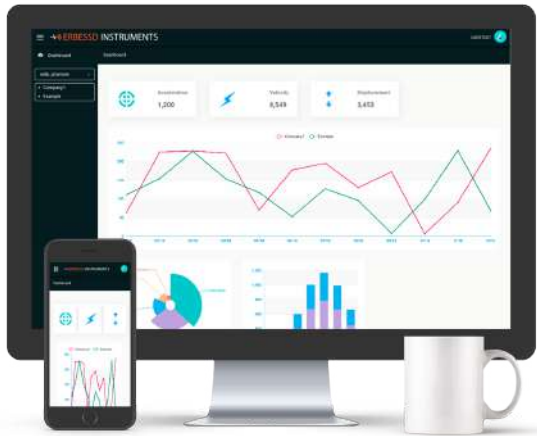
COM	IN
Black cable	Red cable

CH4

COM	IN
Black cable	Red cable

Analyze and visualize the data
of your sensors with

DigivibeMX®



Access to your information
in an easy way trough your
browser or DigivibeMX.

Phantom sensors are compatible with
communication protocol



MEET THE PHANTOM FAMILY

Phantom Expert & Phantom Gen2

High Range triaxial vibration sensor. It is able to send 3 simultaneous FFT and time waveform recordings at once. Available in **High Sensitivity**, **Biaxial** and **ATEX**.



Phantom Termocouple & Phantom Infrared

Have a better control of your machines' temperature. You can connect up to 3 thermocouple sensors or acquire the **infrared** temperature sensor so you can monitor with extreme precision.



Phantom RPM

With the RPM sensor you can easily analyze the revolutions per minute of any rotor, turbine or vent with incredible precision with a switching speed of 600kRPM.



Phantom GP

General Purpose modules that are compatible with any kind of sensor to obtain wireless data. Available for **4-20mA**, **0-10V**, **Digital Signals** and **2.2Vpp** sensors.



Phantom All in One

Obtain the reliability of three sensors in only one Phantom module; vibration, temperature and current. Complete condition monitoring all in one.



Coming soon...

Phantom
Thermographic
Camera



ERBESSD INSTRUMENTS®

WORLDWIDE toll-free:

+1-877-223-4606

ENGLISH:

Sales, Service & Support Engineer

+1-518-874-2700

info@erbessdreliability.com

SPANISH & FRENCH:

Sales, Service & Support Engineer

+52 (55) 6280-7654

info@erbessd-instruments.com

BUY ONLINE

www.erbessd-instruments.com

ALL THE IMAGES ARE FOR ILLUSTRATIVE PURPOSES ONLY. THE FINAL PRODUCT MAY VARY DEPENDING ON THE VERSION AND/OR THE CHANGES OR UPGRADES MADE TO THE PARTS AND COMPONENTS OF THE DEVICES

© 2018 ERBESSD INSTRUMENTS

PC-DS2021.0429.15